

Date: February 13, 2025

Saving Energy Diligently & Acting Efficiently



OULU VFD CATALOG

Nanjing Oulu Electric Corp.,Ltd.

Add: 95th Xingangwan Road, Luhe Development Zone, Nanjing, Jiangsu ,China

Tel : (+86)25-57506668 57506669

Fax: (+86)25-57506728

Web: www.china-oulu.com



www.china-oulu.com



ABOUT US

Nanjing Oulu Electric Co., Ltd. was established in September 2007 with a registered capital of 71.12 million yuan. It is a national high-tech enterprise focusing on the research and development, production, sales and service of industrial automation and new energy power. The company established a wholly-owned subsidiary "Chnchi Electric" in Liuhe Development Zone in 2014. Oulu Electric landed on the New OTC Market on May 19, 2017. The stock code is 871415.

Oulu Electric has an experienced and innovative technology R&D team, based on industrial automation control technology that has owned intellectual property rights for many years. We provide customers with high-quality products and solutions, and form a series of supporting services such as installation, commissioning, operation and maintenance, technology upgrades, and remote data mining analysis.

We are not only based on the marketing of mid-to-high-end brands in the domestic market, but will also gradually form product sales in foreign markets. "Saving Energy Diligently & Acting Efficiently", we will focus on electric transmission energy saving and new energy business, create value for customers and employees. Create opportunities, take responsibility for society, develop together with society, customers and employees, and create a better life together.



Our Production Line

We have strict control over production management, process technology, equipment maintenance and quality control. We also have advanced manufacturing equipment, testing instruments, professional technical talents, integrated production and processing processes. We strictly follow standard operating standards to ensure the stability and accuracy of product quality.



Our Products

Industrial automation products: Based on independently developed VFD, servo motor and drive system, permanent magnet synchronous motor and drive system and other products, to provide customers with complete automation drive control, electrical transmission control solutions.

New energy Business products: Based on small and medium-sized wind turbine, off-grid energy storage inverter, energy storage reverse control integrated machine, energy storage lithium battery, photovoltaic controller, wind and solar complementary control inverter integrated control system, base station integrated control system, to provide grid-connected power generation and off-grid power generation two modes of operation of small power generation system .



Our Certificate



VFD Application

- Air conditioning load
- Crusher load
- Large furnace calcined load
- Air-compressor load
- Rolling mill load
- Windlass load
- Steel converter load
- Roller load
- Pump load
- Wire machine load
- Convey machine load
- Elevator for cargo transfer load
- Machine for transfer material load
- Stacked-reclaimed machine load
- Fans load
- Mix material machine load
- Textile machine load
- Special power supply load
- Glass, ceramics, pharmaceutical, beverage, food, packaging and other production line loads
- Paper machine load
- Laundry equipment load
- Musical fountain load
- Grinding machine load
- Cigarette machine load
- Load shedding and noise reduction loads
- Dyeing machine load
- Plastic injection machine load
- Sewage treatment and environment equipment load
- Offshore oil platform machine load
- Oil submersible pump load
- Polyester chip machine load



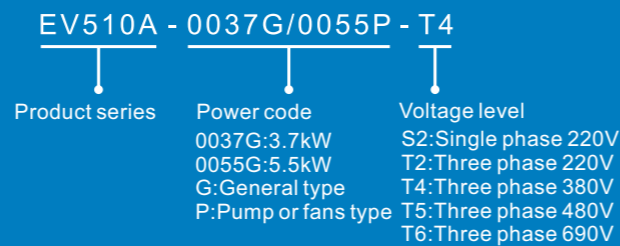
EV510A series high performance VFD



About the product

The EV510A series high performance VFD is the upgraded version of the EV510 series. It is smaller in size, more compact in structure, better in carrying capacity, and more stable in performance than the EV510 series. At the same time, it supports the display of the external panel of the network cable.

Naming rules



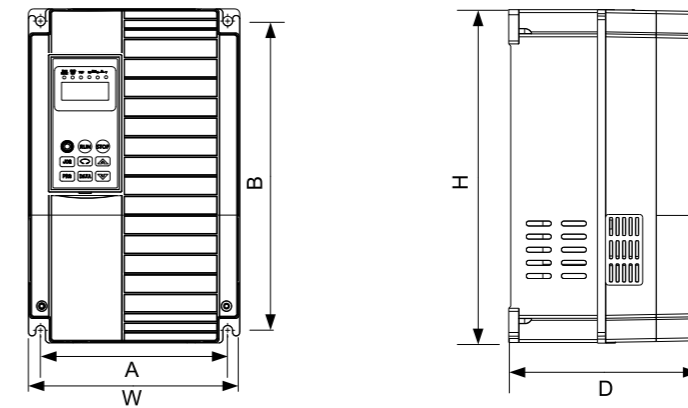
Rated specification

Model	Power capacity (kVA)	Input current (A)	Output current (A)	Match motor (kW)
Single phase:220V,50/60Hz				
EV510A-0004G-S2	1.0	5.4	2.3	0.4
EV510A-0007G-S2	1.5	8.2	4.0	0.75
EV510A-0015G-S2	3.0	14.0	7.0	1.5
EV510A-0022G-S2	4.0	23.0	9.6	2.2
Three phase:220V,50/60Hz				
EV510A-0037G-T2	8.9	14.6	17.0	3.7
EV510A-0055G-T2	17.0	26.0	25.0	5.5
EV510A-0075G-T2	21.0	35.0	32.0	7.5
Three phase:380V,50/60Hz				
EV510A-0007G-T4	1.5	3.4	2.1	0.75
EV510A-0015G-T4	3.0	5.0	3.8	1.5
EV510A-0022G-T4	4.0	5.8	5.1	2.2
EV510A-0037G/0055P-T4	5.9	10.5	9.0	3.7
EV510A-0055G/0075P-T4	8.9	14.6	13.0	5.5
EV510A-0075G/0110P-T4	11.0	20.5	17.0	7.5
EV510A-0110G/0150P-T4	17.0	26.0	25.0	11
EV510A-0150G/0185P-T4	21.0	35.0	32.0	15
EV510A-0185G/0220P-T4	24.0	38.5	37.0	18.5
EV510A-0220G/0300P-T4	30.0	46.5	45.0	22
EV510A-0300G/0370P-T4	40.0	62.0	60.0	30
EV510A-0370G/0450P-T4	57.0	76.0	75.0	37
EV510A-0450G/0550P-T4	69.0	92.0	91.0	45
EV510A-0550G/0750P-T4	85.0	113.0	112.0	55
EV510A-0750G/0900P-T4	114.0	157.0	150.0	75
EV510A-0900G/1100P-T4	134.0	180.0	176.0	90
EV510A-1100G/1320P-T4	160.0	214.0	210.0	110
EV510A-1320G/1600P-T4	192.0	256.0	253.0	132
EV510A-1600G/1850P-T4	231.0	307.0	304.0	160
EV510A-1850G/2000P-T4	240.0	330.0	340.0	185
EV510A-2000G/2200P-T4	250.0	385.0	377.0	200
EV510A-2200G/2500P-T4	280.0	430.0	426.0	220
EV510A-2500G/2800P-T4	355.0	468.0	465.0	250
EV510A-2800G/3150P-T4	396.0	525.0	520.0	280
EV510A-3150G/3500P-T4	445.0	590.0	585.0	315
EV510A-3500G-T4	500.0	665.0	650.0	350
EV510A-4000G-T4	565.0	785.0	725.0	400
EV510A-4500G-T4	630.0	800.0	820.0	450
EV510A-5000G-T4	700.0	890.0	870.0	500
EV510A-5600G-T4	783.0	980.0	950.0	560
EV510A-6300G-T4	882.0	1180.0	1100.0	630
EV510A-7100G-T4	-	-	1250.0	-
EV510A-8000G-T4	-	-	1400.0	-
EV510A-9000G-T4	-	-	1580.0	-
EV510A-10000G-T4	-	-	1750.0	-
EV510A-12000G-T4	-	-	2100.0	-
EV510A-14000G-T4	-	-	2320.0	-

Technique Feature

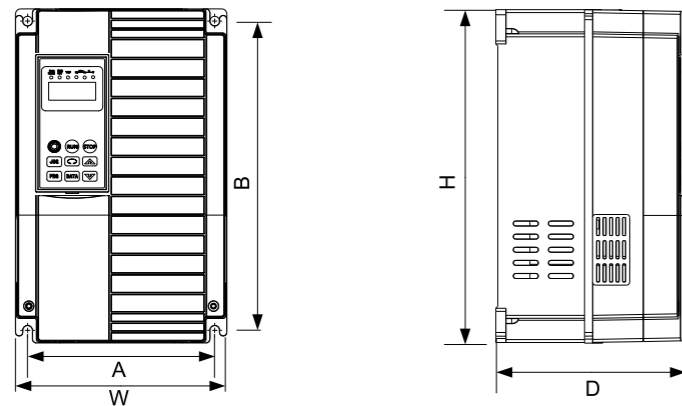
Item	Specification
Highest frequency	Vector control: 0~500Hz; V/F control: 0~500Hz
Carrier frequency	0.8kHz~12kHz The carrier frequency can be automatically adjusted according to the temperature characteristics.
Input frequency resolution	Digital setting:0.01Hz Analog setting: maximum frequency×0.025%
Control mode	Open-loop vector(SVC) Closed-loop vector(FVC) V/F control
Start torque	G Type:0.5Hz/150%(SVC);0Hz/180%(FVC) P Type:0.5Hz/100%
Speed range	1:100 (SVC) 1:1000 (FVC)
Speed control accuracy	±0.5% (SVC) ±0.02% (FVC)
Torque control accuracy	±5% (FVC)
Overload capacity	G Type:150% Rated current 60sec; 180% Rated current 3sec P Type:120% Rated current 60sec; 150% Rated current 3sec
Torque boost	Automatic torque increase; Manual torque increase 0.1%~30.0%
V/F curve	Three types: linear type; multi-point type; the nth power of V/F curve (1.2 power, 1.4 power, 1.6 power, 1.8 power, 2 power)
V/F Separation	Linear or S curve of ACC/DEC ways. Four types of ACC/DEC Time, ACC/DEC time range is 0.0~6500.0s
ACC/DEC curve	Two types: full separation, half of separation
DC brake	DC brake frequency:0.00Hz~max frequency Brake time: 0.0s~36.0s, Brake action current: 0.0%~100.0%
JOG control	JOG frequency range: 0.00Hz~50.00Hz. JOG speed-up/down time: 0.0s~6500.0s
Simple PLC multi-stage speed running	Via bul-in PLC or control terminal can realize max 16 stage speed running
Built-in PID	Can realize process control close-loop system conveniently
Auto adjust voltage(AVR)	When grid voltage changes, can keep output voltage steadily automatically
Overcurrent and overvoltage speed control	During running, limit current and voltage automatically, protect from tripping off frequently for overvoltage and overcurrent
Quick current-limit function	Reduce overcurrent error on max extent, protect inverter normal running
Torque limitation and control	"Digger" feature, inverter could limit torque automatically, prevent overcurrent tripping off; close-loop vector can realize torque control
Outstanding perform	Using high-perform current vector control
Instantaneous stop not stop	During instant power-off, by motor feedbacking energy, inverter compensates voltage-drop to keep running for short time
Timing control	Timing control function: setting time range: 0.0min-6500.0min
Multi-motor switch	2 sets of motor parameter, can realize 2 motors switching control
Multi-threading bus support	Support 2 fieldbus: RS485, CANlink
Multi-encoder support	Support differential, open collector, rotary transformer
Command source	Control panel, control terminal, communication; can be switched by several modes
Frequency source	10 types of frequency sources: digital setting, analog voltage setting, analog current setting, pulse setting, communication setting, can be switched by several methods
Auxiliary frequency sources	10 types of auxiliary frequency source, can realize auxiliary frequency trimming, frequency combining flexibly
Input terminal	Standard: 7 digital input terminals, one of them support max 100KHz HS pulse input (apolegamy) 2 analog input terminals 2 supports 0~10V voltage input or 0~20mA current input
Output terminal	Standard: 1 high-speed pulse output terminal (optional open collector), support 0~100KHz pulse (apolegamy) 1 digit output terminal 2 relay output terminals 2 analog output terminals, both support 0~20mA current output or voltage output
LED display	Can display parameter
Press-key locking and function selection	Realize press-key partial or full lacking, define part press-key function range, to avoid wrong operation
Protection function	Power-on motor short circuit test, output phase-loss protection, over-current protection, over-voltage protection, under-voltage protection, overheat protection, overload protection etc
Optional parts	Differential PG card, open collector PG card, rotary transformer PG card
Application site	Indoor, without direct sunlight, no powder, corrosive gas, combustion air, oil dust, water steam, water drop or salt etc
Altitude level	Less than 1000m
Environment temperature	-10°C~+40°C (During 40°C-50°C, please reduce capacity to use)
Humidity	<95%RH, no water drop condensed
Optional parts	Two Panel LED display LED display; using RJ45 port to connect

Outline size



Model	Installation Size (mm)		Outline Size (mm)			Installation hole	Weight (kg)≈
	A	B	W	H	D		
EV510A-0004G-S2	101	171	112	180	118	Φ4.6	1.3
EV510A-0007G-S2							
EV510A-0015G-S2							
EV510A-0022G-S2	135	245	150	260	153	Φ6	3.9
EV510A-0037G-T2							
EV510A-0055G-T2							
EV510A-0075G-T2	186	306	210	330.5	188	Φ9.5	7.5
EV510A-0110G-T2							
EV510A-0150G-T2							
EV510A-0007G-T4	101	171	112	180	118	Φ4.6	1.3
EV510A-0015G-T4							
EV510A-0022G-T4							
EV510A-0037G/0055P-T4	101	171	112	180	138	Φ4.6	2.1
EV510A-0055G/0075P-T4							
EV510A-0075G/0110P-T4							
EV510A-0110G/0150P-T4	135	245	150	260	153	Φ6	3.9
EV510A-0150G/0185P-T4							
EV510A-0185G/0220P-T4							
EV510A-0220G/0300P-T4	186	306	210	330.5	188	Φ9.5	7.5
EV510A-0300G/0370P-T4							
EV510A-0370G/0450P-T4							
EV510A-0450G/0550P-T4	238	396	260	420	196	Φ8.5	12.5
EV510A-0550G/0750P-T4							
EV510A-0750G/0900P-T4							
EV510A-0900G/1100P-T4	200	614	278	630	310	Φ9	39
EV510A-1100G/1320P-T4							
EV510A-1320G/1600P-T4							
EV510A-1600G/1850P-T4	300	650	454	670	310	Φ9	67
EV510A-1850G/2000P-T4 Hanging							
EV510A-2000G/2200P-T4 Hanging							
EV510A-2200G/2500P-T4 Hanging	400	810	520	835	382	Φ13	107
EV510A-2500G/2800P-T4 Hanging							
EV510A-1850G/2000P-T4 Cabinet							
EV510A-2000G/2200P-T4 Cabinet	-	-	520	1183	382	-	-
EV510A-2200G/2500P-T4 Cabinet							
EV510A-2500G/2800P-T4 Cabinet							

Outline size

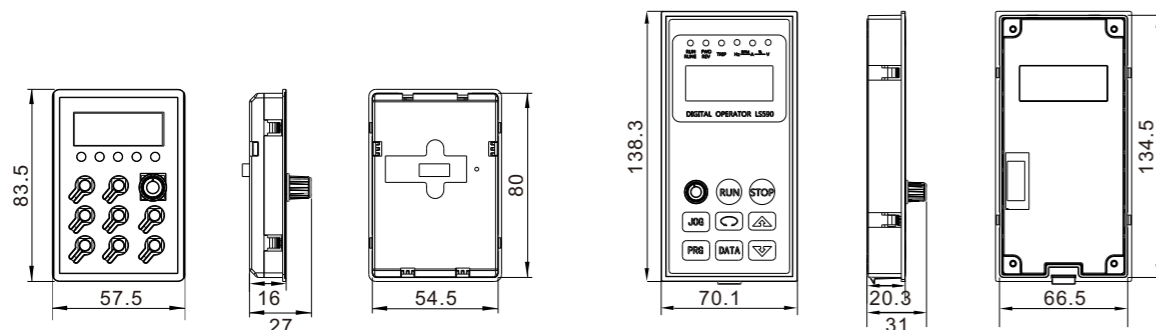


	Model	Installation Size (mm)		Outline Size (mm)			Installation hole	Weight (kg)≈
		A	B	W	H	D		
Hanging	EV510A-2800G/3150P-T4	460 (230+230 3 holes in total)	895	720	920	382	φ 13	155
	EV510A-3150G/3500P-T4							
	EV510A-3500G-T4							
	EV510A-4000G-T4							
	EV510A-4500G-T4							
Cabinet	EV510A-2800G/3150P-T4	600 (300+300 3 holes in total)	1048	980	1500	502	φ 13	-
	EV510A-3150G/3500P-T4							
	EV510A-3500G-T4							
	EV510A-4000G-T4							
	EV510A-4500G-T4							
	EV510A-5000G-T4							
	EV510A-5600G-T4							
	EV510A-6300G-T4							
	EV510A-7100G-T4							
	EV510A-8000G-T4							
	EV510A-9000G-T4							
EV510A-10000G-T4								
EV510A-12000G-T4								
EV510A-14000G-T4								

EV510E series synchronous motor driver



Keypad outline



Small operation panel

Large operation panel

About the product

EV510E series synchronous motor driver is a general-purpose high-performance VFD, which is mainly used to control and adjust the speed and torque of three-phase AC synchronous motor. It uses high-performance current vector control technology to realize the control of permanent magnet synchronous motor, supports a variety of PG cards, and has powerful functions. It can be used for driving textile, paper, wire drawing, machine tool, packaging, food and various automatic equipment.

Naming rules

EV510E - 0055G - T4

Product series: EV510E
Power code: 0055G:5.5kW, G:General type
Voltage level: T4: Three phase 380V

S2: single phase 220V
T2: Three phase 220V
T4: Three phase 380V
T5: Three phase 480V
T6: Three phase 690V

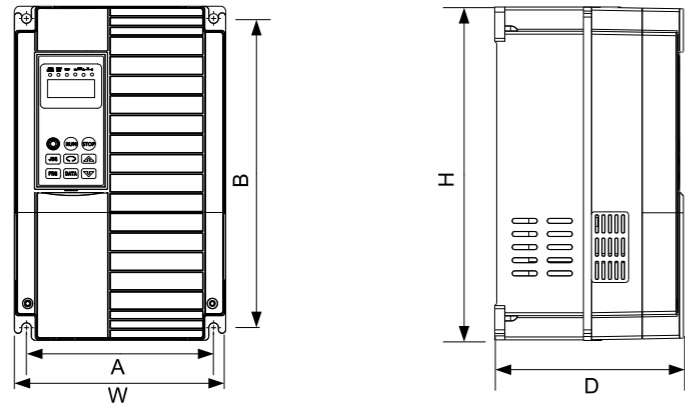
Rated specification

Model	Power capacity (kVA)	Input current (A)	Output current (A)	Match motor (kW)
Single phase:220V,50/60Hz				
EV510E-0004G-S2	1.0	5.4	2.3	0.4
EV510E-0007G-S2	1.5	8.2	4.0	0.75
EV510E-0015G-S2	3.0	14.0	7.0	1.5
EV510E-0022G-S2	4.0	23.0	9.6	2.2
Three phase:220V,50/60Hz				
EV510E-0037G-T2	8.9	14.6	17.0	3.7
EV510E-0055G-T2	17.0	26.0	25.0	5.5
EV510E-0075G-T2	21.0	35.0	32.0	7.5
Three phase:380V,50/60Hz				
EV510E-0007G-T4	1.5	3.4	2.1	0.75
EV510E-0015G-T4	3.0	5.0	3.8	1.5
EV510E-0022G-T4	4.0	5.8	5.1	2.2
EV510E-0037G-T4	5.9	10.5	9.0	3.7
EV510E-0055G-T4	8.9	14.6	13.0	5.5
EV510E-0075G-T4	11.0	20.5	17.0	7.5
EV510E-0110G-T4	17.0	26.0	25.0	11
EV510E-0150G-T4	21.0	35.0	32.0	15
EV510E-0185G-T4	24.0	38.5	37.0	18.5
EV510E-0220G-T4	30.0	46.5	45.0	22
EV510E-0300G-T4	40.0	62.0	60.0	30
EV510E-0370G-T4	57.0	76.0	75.0	37
EV510E-0450G-T4	69.0	92.0	91.0	45
EV510E-0550G-T4	85.0	113.0	112.0	55
EV510E-0750G-T4	114.0	157.0	150.0	75
EV510E-0900G-T4	134.0	180.0	176.0	90
EV510E-1100G-T4	160.0	214.0	210.0	110
EV510E-1320G-T4	192.0	256.0	253.0	132
EV510E-1600G-T4	231.0	307.0	304.0	160
EV510E-1850G-T4	240.0	330.0	340.0	185
EV510E-2000G-T4	250.0	385.0	377.0	200
EV510E-2200G-T4	280.0	430.0	426.0	220
EV510E-2500G-T4	355.0	468.0	465.0	250
EV510E-2800G-T4	396.0	525.0	520.0	280
EV510E-3150G-T4	445.0	590.0	585.0	315
EV510E-3500G-T4	500.0	665.0	650.0	350
EV510E-4000G-T4	565.0	785.0	725.0	400
EV510E-5000G-T4	700.0	890.0	870.0	500

Technique Feature

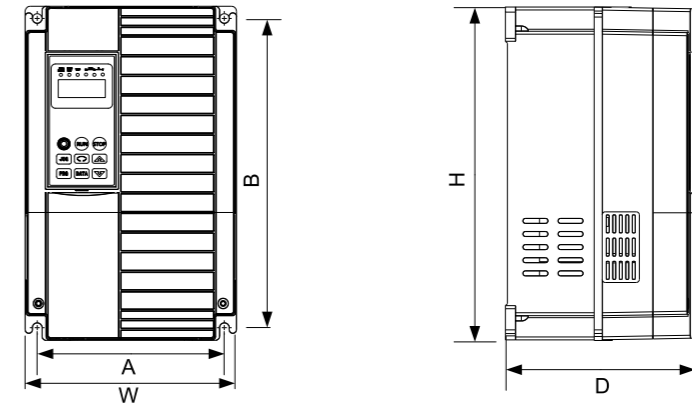
Item	Specification item	
Basic function	Highest frequency	Vector control: 0~500Hz; V/F control: 0~500Hz
	Carrier frequency	0.8kHz~12kHz The carrier frequency can be automatically adjusted according to the temperature characteristics.
	Input frequency resolution	Digital setting:0.01Hz Analog setting: maximum frequency×0.025%
	Control mode	Open-loop vector(SVC) Closed-loop vector(FVC) V/F control
	Start torque	G Type:0.5Hz/150%(SVC);0Hz/180%(FVC) P Type:0.5Hz/100%
	Speed range	1:100 (SVC) 1:1000 (FVC)
	Speed control accuracy	±0.5% (SVC) ±0.02% (FVC)
	Torque control accuracy	±5% (FVC)
	Overload capacity	G Type:150% Rated current 60sec; 180% Rated current 3sec
	Torque boost	Automatic torque increase;Manual torque increase0.1%~30.0%
	V/F curve	Three types: linear type; multi-point type; the nth power of V/F curve (1.2 power, 1.4 power, 1.6 power, 1.8 power, 2 power)
	V/F Separation	Linear or S curve of ACC/DEC ways. Four types of ACC/DEC Time, ACC/DEC time range is 0.0~6500.0s
	ACC/DEC curve	Two types: full separation, half of separation
	DC brake	DC brake frequency:0.00Hz~max frequency Brake time: 0.0s~36.0s, Brake action current: 0.0%~100.0%
	JOG control	JOG frequency range: 0.00Hz~50.00Hz. JOG speed-up/down time: 0.0s~6500.0s
	Simple PLC multi-stage speed running	Via bul-in PLC or control terminal can realize max 16 stage speed running
	Built-in PID	Can realize process control close-ooop system conveniently
	Auto adjust voltage(AVR)	When grid voltage changes, can keep output voltage steadily automatically
	Overcurrent and overvoltage speed control	During running, limit current and voltage automatically, protect from tripping off frequently for overvoltage and overcurrent
	Quick current-limit function	Reduce overcurrent error on max extent, protect inverter normal running
Torque limitation and control	"Digger" feature, inverter could limit torque automatically, prevent overcurrent tripping off; close-ooop vector can realize torque control	
Personalization function	Outstanding perform	Using high-perform current vector control
	Instantaneous stop not stop	During instant power-off, by motor feedbacking energy, inverter compensates voltage-drop to keep running for short time
	Timing control	Timing control function: setting time range: 0.0min-6500.0min
	Multi- motor switch	2 sets of motor parameter, can realize 2 motors switching control
	Multi-threading bus support	Support 3 fieldbus: RS485, CAN link, CAN open
	Multi-encoder support	Support differential, open collector, rotary transformer
	Command source	Control panel, control terminal, communication; can be switched by several modes
	Frequency source	10 types of frequency sources: digital setting, analog voltage setting, analog current setting, pulse setting, communication setting, can be switched by several methods
	Auxiliary frequency sources	10 types of auxiliary frequency source, can realize auxiliary frequency trimming, frequency combining flexibly
	Running display and keypad	Input terminal
Output terminal		Standard: 1 high-speed pulse output terminal (optional open collector), support 0~100kHz pulse 1 digit output terminals 2 relay output terminal 2 analog output terminals, both support 0~20mA current output or voltage output
LED display		Can display parameter
Press-key locking and function selection		Realize press-key partial or full lacking, define part press-key function range, to avoid wrong operation
Protection function		Power-on motor short circuit test, output phase-loss protection, over-current protection, over-voltage protection, under-voltage protection, overheat protection, overload protection etc
Environment	Optional parts	Differential PG card, open collector PG card, rotary transformer PG card
	Application site	Indoor, without direct sunlight, no powder, corrosive gas, combustion air, oil dust, water steam, water drop or salt etc
	Altitude level	Less than 1000m
	Environment temperature	-10°C~+40°C (During 40°C-50°C, please reduce capacity to use)
Optional parts	Humidity	<95%RH, no water drop condensed
	Two Panel LED display	LED display; using RJ45 port to connect

Outline size



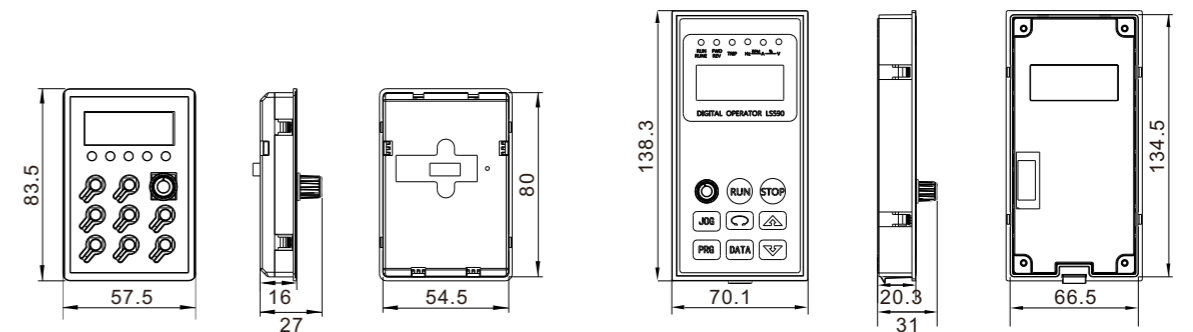
Model	Installation Size (mm)		Outline Size (mm)			Installation hole	Weight (kg)≈
	A	B	W	H	D		
EV510E-0004G-S2	101	171	112	180	118	Φ4.6	1.3
EV510E-0007G-S2							
EV510E-0015G-S2							
EV510E-0022G-S2							
EV510E-0037G-T2	135	245	150	260	153	Φ6	3.9
EV510E-0055G-T2							
EV510E-0075G-T2	186	306	210	330.5	188	Φ9.5	7.5
EV510E-0110G-T2							
EV510E-0150G-T2							
EV510E-0007G-T4							
EV510E-0015G-T4	101	171	112	180	118	Φ4.6	1.3
EV510E-0022G-T4							
EV510E-0037G-T4	101	171	112	180	138	Φ4.6	2.1
EV510E-0055G-T4							
EV510E-0075G-T4	135	245	150	260	153	Φ6	3.9
EV510E-0110G-T4							
EV510E-0150G-T4							
EV510E-0185G-T4							
EV510E-0220G-T4	186	306	210	330.5	188	Φ9.5	7.5
EV510E-0300G-T4							
EV510E-0370G-T4							
EV510E-0450G-T4							
EV510E-0550G-T4	272	455	304	470	240	Φ9	22.9
EV510E-0750G-T4							
EV510E-0900G-T4	200	614	278	630	310	Φ9	39
EV510E-1100G-T4							
EV510E-1320G-T4	300	650	454	670	310	Φ9	67
EV510E-1600G-T4							
EV510E-1850G-T4	400	810	520	835	382	Φ13	107
EV510E-2000G-T4							
EV510E-2200G-T4							
EV510E-2500G-T4							
EV510E-1850G-T4	-	-	520	1183	382	-	-
EV510E-2000G-T4							
EV510E-2200G-T4							
EV510E-2500G-T4							

Outline size



Model	Installation Size (mm)		Outline Size (mm)			Installation hole	Weight (kg)≈
	A	B	W	H	D		
EV510E-2800G-T4	460 (230+230 3 holes in total)	895	720	920	382	Φ13	155
EV510E-3150G-T4							
EV510E-3500G-T4							
EV510E-4000G-T4							
EV510E-4500G-T4							
EV510E-2800G-T4	-	-	720	1320	382	-	225
EV510E-3150G-T4							
EV510E-3500G-T4							
EV510E-4000G-T4							
EV510E-4500G-T4							

Keypad outline



Small operation panel

Large operation panel

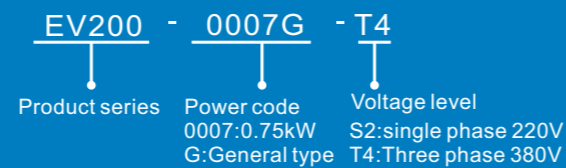
EV200 series high performance VFD



About the product

About the product Naming rules EV200 series high-performance VFD is the company's new generation of high quality and high reliability small vfd. Based on the market demand of small power, small volume and simple speed regulation, the single-phase 220VAC and three-phase 380VAC small vfd are targeted. It can be widely used in small automatic machinery represented by wood working carving, glass edging, food filling, pharmaceutical centrifuge, automatic production line, electronic equipment, logistics equipment, textile, etc.

Naming rules



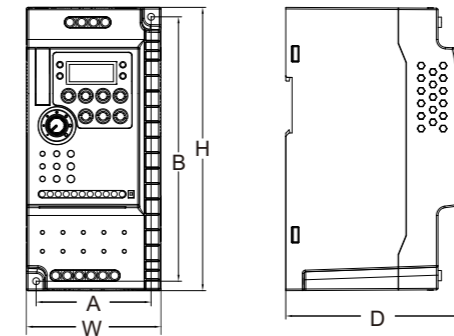
Product features

- New narrow body design, compact structure and smart design. Compared with the old products, the installation size is reduced by 30% and the volume is reduced by 45%, which is more conducive to saving installation space and reducing power distribution costs;
- Independent air duct, straight up and down, efficient heat dissipation;
- 0.5Hz starting torque can reach 150%;
- 0.75-2.2kW without built-in brake unit, and above 3.7kW with brake unit;
- 4 digital input terminals, 1 analog input, 1 relay output;
- The keyboard can be imported from outside, and is compatible with the keyboard interface of the company's 510A and 510H frequency converters

Rated specification

Model	Power capacity (kVA)	Input current (A)	Output current (A)	Match motor (kW)
EV200-0004G-S2	1.0	5.4	2.3	0.4
EV200-0007G-S2	1.5	8.2	4.0	0.75
EV200-0015G-S2	3.0	14.0	7.0	1.5
EV200-0022G-S2	4.0	23.0	9.6	2.2
EV200-0037G-S2	7.5	32.0	17.0	3.7
EV200-0007G-T4	1.5	3.4	2.1	0.75
EV200-0015G-T4	3.0	5.0	3.8	1.5
EV200-0022G-T4	4.0	5.8	5.1	2.2
EV200-0040G-T4	5.9	10.5	9.0	4.0
EV200-0055G-T4	8.9	14.6	13.0	5.5
EV200-0075G-T4	11.0	20.5	17.0	7.5

Outline size

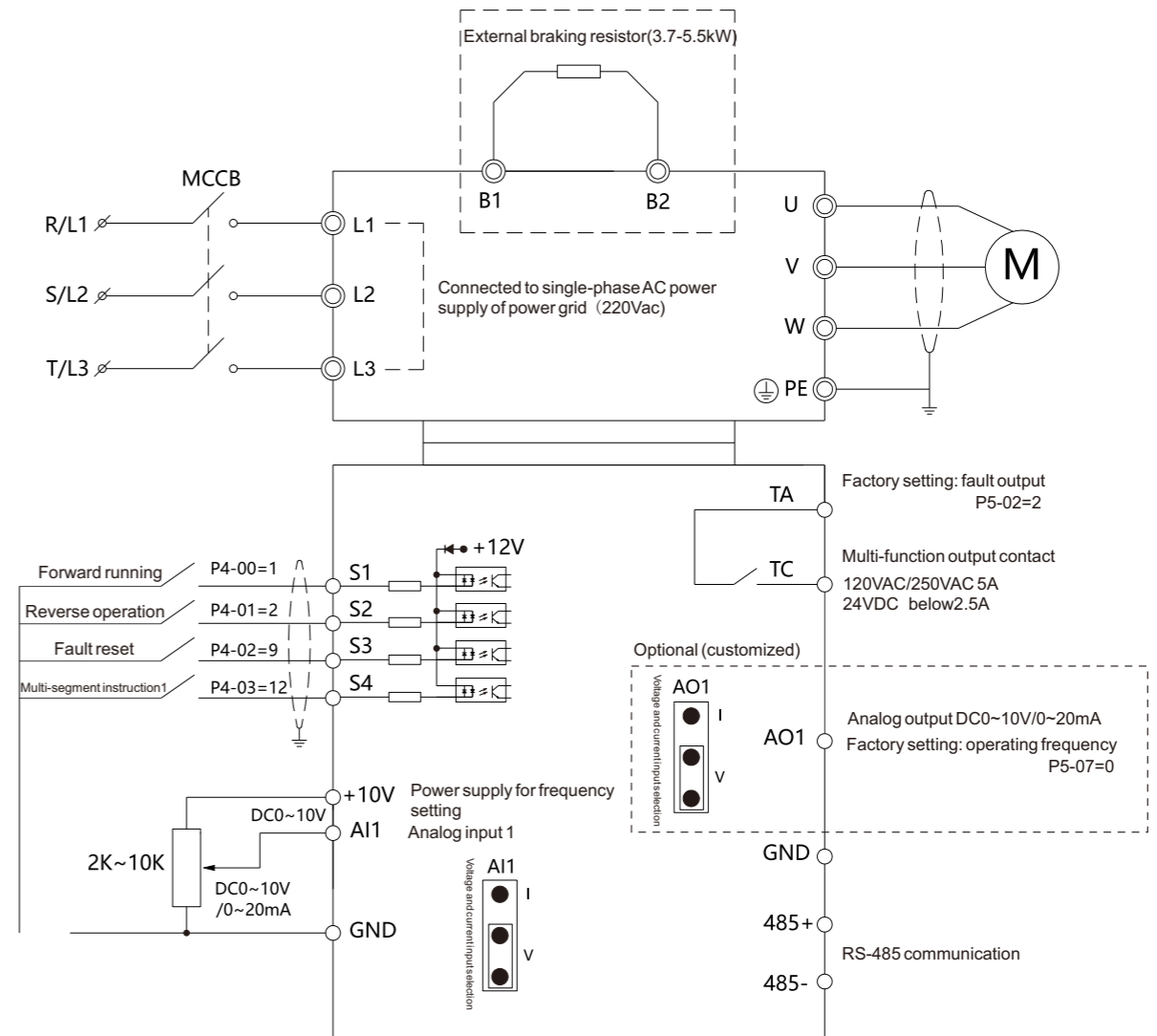


Voltage	Model	Power (kW)	Installation Size (mm)		Outline Size (mm)			Installation hole
			A	B	W	H	D	
Single phase 220V	EV200-0004G-S2	0.4	60	129	73	143	112.6	Φ4.4
	EV200-0007G-S2	0.75						
	EV200-0015G-S2	1.5						
	EV200-0022G-S2	2.2						
Three phase 380V	EV200-0037G-S2	3.7	73	168	85.5	180	116.4	Φ4.4
	EV200-0007G-T4	0.75						
	EV200-0015G-T4	1.5						
	EV200-0022G-T4	2.2						
	EV200-0040G-T4	4.0						
	EV200-0055G-T4	5.5						
	EV200-0075G-T4	7.5						

Technique Feature

Item	Specification
Highest frequency	Vector control: 0~500Hz; V/F control: 0~500Hz
Carrier frequency	0.8kHz~12kHz The carrier frequency can be automatically adjusted according to the temperature characteristics.
Input frequency resolution	Digital setting: 0.01Hz Analog setting: maximum frequency×0.025%
Control mode	Open-loop vector(SVC) V/F control
Start torque	G Type: 0.5Hz/150% (SVC); 0Hz/180% (FVC)
Speed range	1:100 (SVC)
Speed control accuracy	±0.5% (SVC)
Torque control accuracy	±5% (FVC)
Overload capacity	G Type: 150% Rated current 60sec; 180% Rated current 3sec
Torque boost	Automatic torque increase; Manual torque increase 0.1%~30.0%
V/F curve	Three types: linear type; multi-point type; the nth power of V/F curve (1.2 power, 1.4 power, 1.6 power, 1.8 power)
V/F Separation	Linear or S curve of ACC/DEC ways. Four types of ACC/DEC Time, ACC/DEC time range is 0.0~6500.0s
ACC/DEC curve	Two types: full separation, half of separation
DC brake	DC brake frequency: 0.00Hz~max frequency Brake time: 0.0s~36.0s, Brake action current: 0.0%~100.0%
JOG control	JOG frequency range: 0.00Hz~50.00Hz. JOG speed-up/down time: 0.0s~6500.0s
Simple PLC multi-stage speed running	Via bul-in PLC or control terminal can realize max 16 stage speed running
Built-in PID	Can realize process control close-loop system conveniently
Auto adjust voltage(AVR)	When grid voltage changes, can keep output voltage steadily automatically
Overcurrent and overvoltage speed control	During running, limit current and voltage automatically, protect from tripping off frequently for overvoltage and overcurrent
Quick current-limit function	Reduce overcurrent error on max extent, protect inverter normal running
Torque limitation and control	"Digger" feature, inverter could limit torque automatically, prevent overcurrent tripping off; close-loop vector can realize torque control
Outstanding perform	Using high-perform current vector control
Instantaneous stop not stop	During instant power-off, by motor feedbacking energy, inverter compensates voltage-drop to keep running for short time
Timing control	Timing control function: setting time range: 0.0min~6500.0min
Command source	Control panel, control terminal, communication; can be switched by several modes
Frequency source	10 types of frequency sources: digital setting, analog voltage setting, analog current setting, pulse setting, communication setting, can be switched by several methods
Auxiliary frequency sources	10 types of auxiliary frequency source, can realize auxiliary frequency trimming, frequency combining flexibly
Input terminal	Standard: 4 digital input terminal 1 supports 0~10V voltage input or 0~20mA current input
Output terminal	1 relay output terminal
LED display	Can display parameter
Press-key locking and function selection	Realize press-key partial or full lacking, define part press-key function range, to avoid wrong operation
Protection function	Power-on motor short circuit test, output phase-loss protection, over-current protection, over-voltage protection, under-voltage protection, overheat protection, overload protection etc
Optional parts	Differential PG card, open collector PG card, rotary transformer PG card
Application site	Indoor, without direct sunlight, no powder, corrosive gas, combustion air, oil dust, water steam, water drop or salt etc
Altitude level	Less than 1000m
Environment temperature	-10°C~+40°C (During 40°C~50°C, please reduce capacity to use)
Humidity	<95%RH, no water drop condensed
LED display	LED display; The keyboard can be imported from outside, and is compatible with the keyboard interface of the company's 510A and 510H frequency converters

Standard wiring diagram



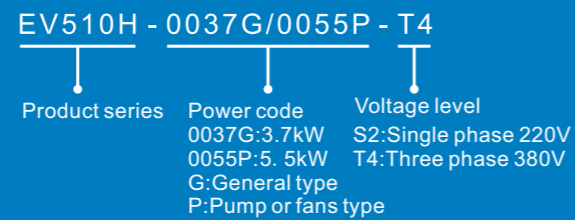
EV510H series high performance VFD



About the product

EV510H series high-performance VFD, with small size, light weight, easy to carry and other characteristics, is a functional enhanced product. It can be used for driving textile, paper making, silk weaving, machine tool packaging, food, fan, water pump and various kinds of automatic production equipments.

Naming rules



Rated specification

Model	Power capacity (kVA)	Input current(A)	Output current(A)	Match motor (kW)
Single phase:220V,50/60Hz				
EV510H-0004G-S2	1.0	5.4	2.3	0.4
EV510H-0007G-S2	1.5	8.2	4.0	0.75
EV510H-0015G-S2	3.0	14.0	7.0	1.5
EV510H-0022G-S2	4.0	23.0	9.6	2.2
Three phase:380V,50/60Hz				
EV510H-0007G-T4	1.5	3.4	2.1	0.75
EV510H-0015G-T4	3.0	5.0	3.8	1.5
EV510H-0022G-T4	4.0	5.8	5.1	2.2
EV510H-0037G/0055P-T4	5.9	10.5	9.0	3.7
EV510H-0055G/0075P-T4	8.9	14.6	13.0	5.5

Technique Feature

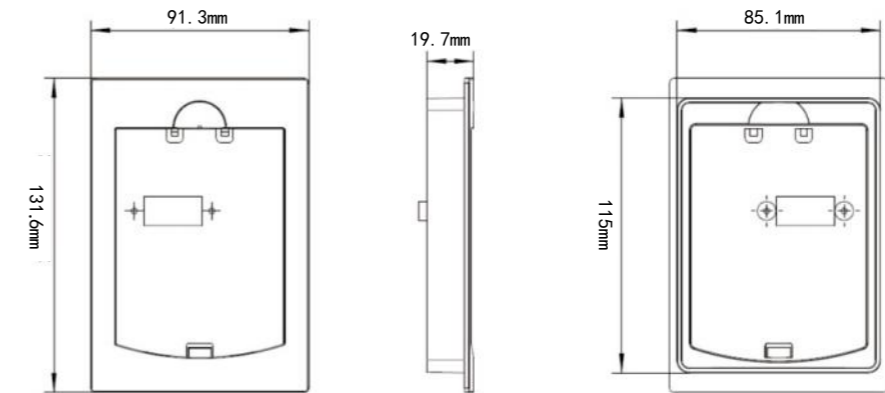
Item	Specification item
Highest frequency	Vector control: 0~500Hz; V/F control: 0~500Hz
Carrier frequency	0.8kHz~12kHz The carrier frequency can be automatically adjusted according to the temperature characteristics.
Input frequency resolution	Digital setting:0.01Hz Analog setting: maximum frequency×0.025%
Control mode	Open-loop vector(SVC) V/F control
Start torque	G Type:0.5Hz/150%(SVC); P Type:0.5Hz/100%
Speed range	1:100 (SVC)
Speed control accuracy	±0.5% (SVC)
Overload capacity	G Type:150% Rated current 60sec; 180% Rated current 3sec P Type:120% Rated current 60sec; 150% Rated current 3sec
Torque boost	Automatic torque increase;Manual torque increase0.1%~30.0%
V/F curve	Three types: linear type; multi-point type; the nth power of V/F curve (1.2 power, 1.4 power, 1.6 power, 1.8 power, 2 power)
ACC/DEC curve	Two types: full separation, half of separation
DC brake	DC brake frequency:0.00Hz~max frequency Brake time: 0.0s~36.0s, Brake action current: 0.0%~ 100.0%
JOG control	JOG frequency range: 0.00Hz~50.00Hz. JOG speed-up/down time: 0.0s~6500.0s
Simple PLC multi-stage speed running	Via bul-in PLC or control terminal can realize max 16 stage speed running
Built-in PID	Can realize process control close-op system conveniently
Auto adjust voltage(AVR)	When grid voltage changes, can keep output voltage steadily automatically
Overcurrent and overvoltage speed control	During running,limit current and voltage automatically,protect from tripping off frequently for overvoltage and overcurrent
Quick current-limit function	Reduce overcurrent error on max extent, protect inverter normal running
Torque limitation and control	"Digger" feature, inverter could limit torque automatically, prevent overcurrent tripping off; close-op vector can realize torque control

(Transfer to next page)

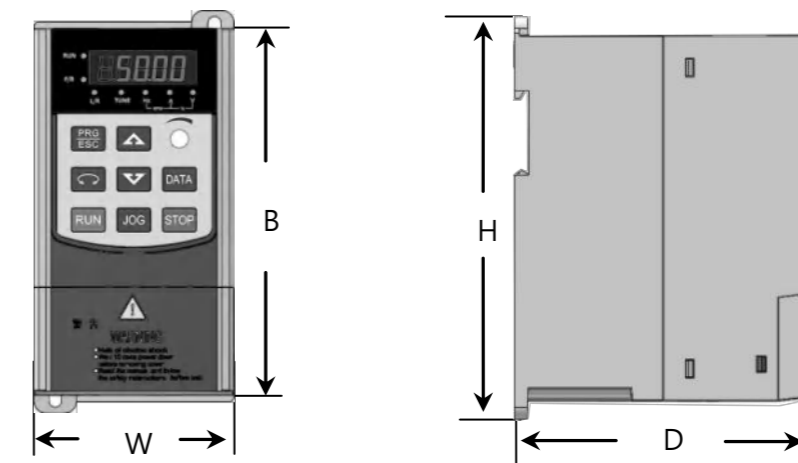
Technique Feature

Item	Specificationem	
Personalization function	Outstanding perform	Using high-perform current vector control
	Instantaneous stop not stop	During instant power-off, by motor feedback energy, inverter compensates voltage-drop to keep running for short time
	Timing control	Timing control function: setting time range: 0.0min-6500.0min
	Command source	Control panel, control terminal, communication; can be switched by several modes
	Frequency source/ Auxiliary frequency sources	digital setting, analog voltage setting, analog current setting, pulse setting, communication setting, can be switched by several methods
Running display and keypad	Input terminal	5 digital input terminal, one of them support max 100KHz HS pulse input (apolegamy), 2 analog input terminal; AI2 supports 0~10V voltage input ;AI1 support 0~10V voltage input or 0~20mA current input
	Output terminal	1 high-speed pulse output terminal (optional open collector), support 0-100kHz pulse (apolegamy) 1 relay output terminal 1 analog output terminal, support 0~20mA current output
	LED display	Can display parameter
	Press-key locking and function selection	Realize press-key partial or full lacking, define part press-key function range, to avoid wrong operation
	Protection function	Power-on motor short circuit test, output phase-loss protection, over-current protection, over-voltage protection, under-voltage protection, overheat protection, overload protection etc
Environment	Aplication site	Indoor, without direct sunlight, no powder, corrosive gas, combustion air, oil dust, water steam, water drop or salt etc
	Altitude level	Less than 1000m, Derating above 1000m, Rated output current decreases by 1% every 100m
	Environment temperature	-10°C~+40°C (During 40°C-50°C, please reduce capacity to use)
	Humidity	<95%RH, no water drop condensed

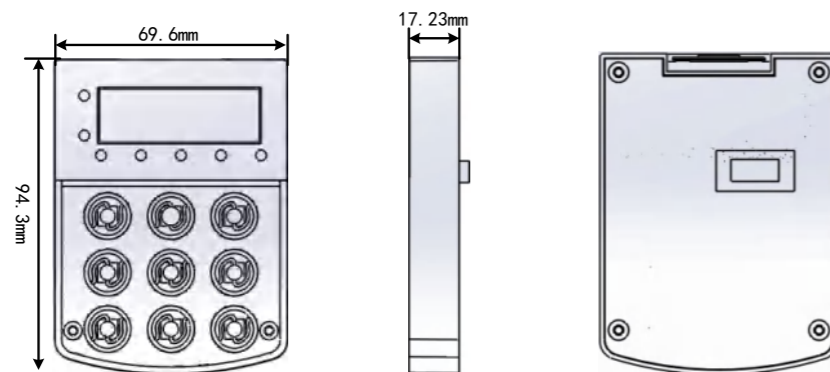
Panel tray size



Outline size



Keypad outline



Model	Outline size (mm)				Installation hole
	B	W	H	D	
EV510H-0004G-S2	155	84	170	127	Φ 5.7
EV510H-0007G-S2					
EV510H-0015G-S2					
EV510H-0022G-S2					
EV510H-0007G-T4					
EV510H-0015G-T4					
EV510H-0022G-T4	183	91	193	142	Φ 4.7
EV510H-0037G/0055P-T4					
EV510H-0055G/0075P-T4					

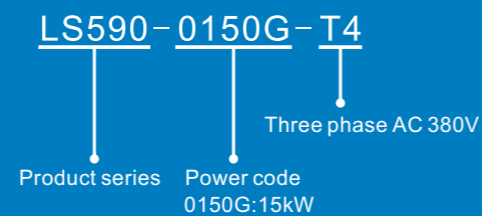
LS590 series servo driver



About the product

LS590 series servo driver is a servo driver specially developed for driving permanent magnet servo motor (PMSM) to realize high-performance vector control of permanent magnet synchronous motor. It is mainly used in plastic molding, pipe extrusion, shoe making, rubber, metal die casting and other industries.

Naming rules



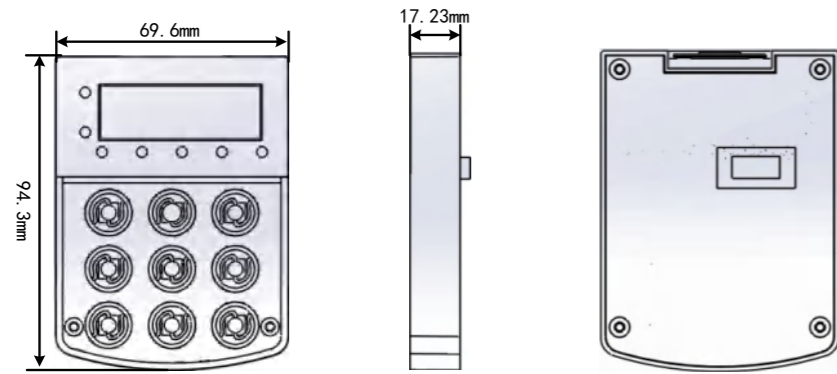
Rated specification

Model	0075G	0110G	0150G	0185G	0220G	0300G	0370G	0450G	0550G	0750G	
LS590-****G-T4											
Rated power(kW)	7.5	11	15	18.5	22	30	37	45	55	75	
Output current(A)	17	25	32	37	45	60	75	91	112	150	
Maximum holding current(A) Continuous 60S	25.5	37.5	48.0	55.5	67.5	90.0	112.5	136.5	168.0	225.0	
Power input	Rated voltage and frequency	three phase 350, 380, 400, 420, 50/60Hz									
	Allowed voltage range	±15%									
	Allowed frequency range	±5%									
Braking resistance (matching)	kW	1	1.5	1.5	2.5	2.5	3	4	5	6	8
	Ω	≥65	≥43	≥32	≥22	≥22	≥16	≥16	≥16	≥16	≥12
Resolver sign cable (according to model)	ZF28-****stands for cable length,unit: cm. For example, ZF80-400 means cable length of 4 meters.										
Pressure sensor (necessary)	Can choose a variety of pressure sensors,the measurement range matches parameters A3-03,pressure sensor range,recommended Danforss 060G3557.										
Breaker	50	50	60	75	100	100	150	150	200	300	
Contactors	30	30	50	50	50	80	100	100	160	250	

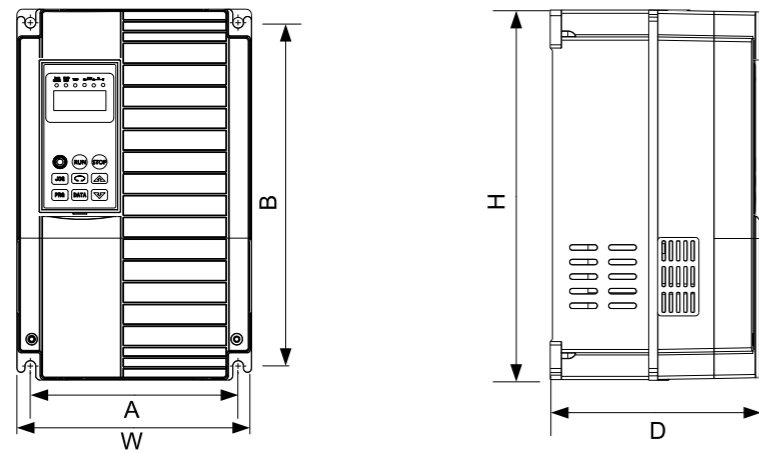
Technique Feature

Item	Specificationem	
Basic function	Highest frequency	300Hz
	Carrier frequency	1kHz~8kHz Automatically adjust carrier frequency according to load characteristics
	Input frequency resolution	Digital setting:0.01Hz Analog setting: maximum frequency×0.1%
	Control mode	Closed-loop vector(VC) V/F control
	Start torque	0Hz/180%(VC)
	Speed range	1:1000(VC)
	Speed control accuracy	±0.02% (VC)
	Torque control accuracy	±5% (VC)
	Overload capacity	150% Rated current 60sec; 180% Rated current 3sec
Auto adjust voltage(AVR)	When grid voltage changes, can keep output voltage steadily automatically	
Protection function	Power-on motor short circuit test, output phase-loss protection, over-current protection, over-voltage protection, under-voltage protection, overheat protection, overload protection etc	
Environment	Application site	Indoor, without direct sunlight, no powder, corrosive gas, combustion air, oil dust, water steam, water drop or salt etc
	Altitude level	Less than 1000m
	Environment temperature	-10°C~+40°C (During 40°C-50°C, please reduce capacity to use)
	Humidity	<95%RH, no water drop condensed
	Vibrate	Less than 5.9m/s2(0.6g)
	Storage temperature	-20°C~+60°C
Protection grade	IP20	

Keypad outline



Outline size



Model	Installation Size (mm)		Outline Size (mm)			Installation hole	Weight (kg)≈
	A	B	W	H	D		
LS590-0075G-T4	186	306	210	330.5	188	Φ9.5	7.5
LS590-0110G-T4							
LS590-0150G-T4							
LS590-0185G-T4							
LS590-0220G-T4							
LS590-0300G-T4							
LS590-0370G-T4	238	396	260	420	196	Φ8.5	12.5
LS590-0450G-T4							
LS590-0550G-T4	272	455	304	470	240	Φ9	22.9
LS590-0750G-T4	200	614	278	630	310	Φ9	39